



Install Ready Installation Instructions

INSTALLATION QUESTIONS?
MISSING PARTS?
REPLACEMENT PARTS?
DON'T GO BACK TO THE STORE!
VISIT WWW.LARSONDOORS.COM
HOMEOWNER HELPLINE
1-888-483-3768

Please have the following information on hand when you call:

- 1 Warranty Registration number
- 2 Model of door
- 3 Size of the door
- 4 Color

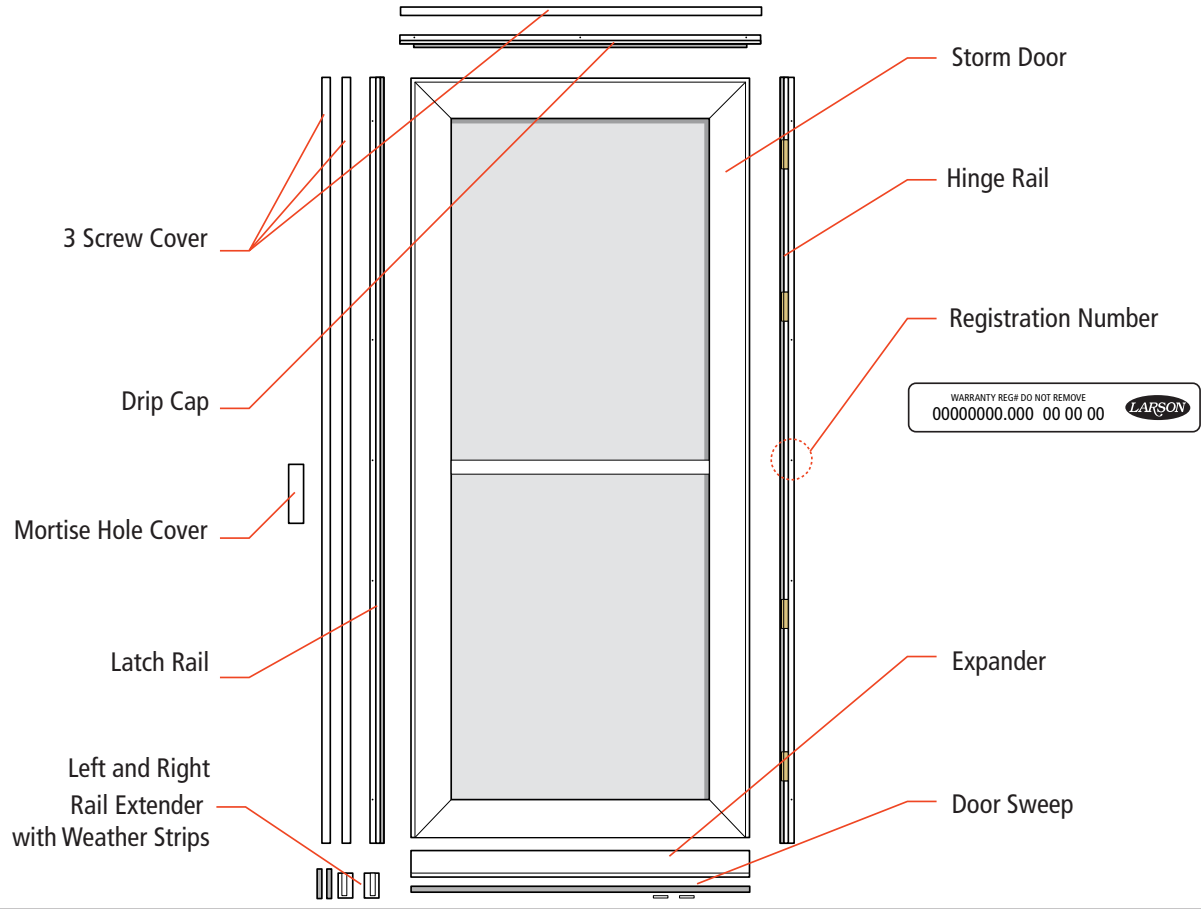


Read the complete installation instructions before proceeding with installation.

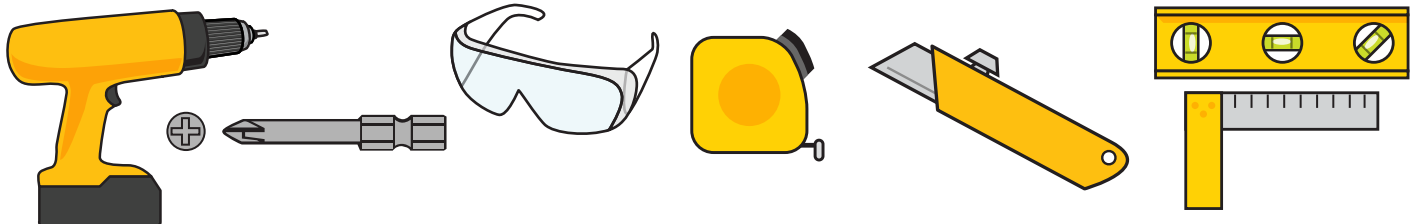
- Installation may require two people when lifting and installing the door
- Use appropriate protective equipment
- Children should not be allowed to play with the door
- Failure to install door properly could result in an injury

NOTE: Larson Manufacturing Company is not responsible for accidents or injury resulting from the use or installation of this product.

Parts List

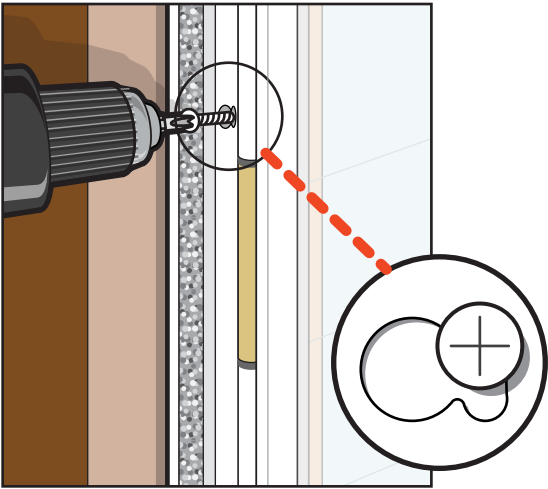


Recommended Tools



1 Attach Storm Door to Door Frame

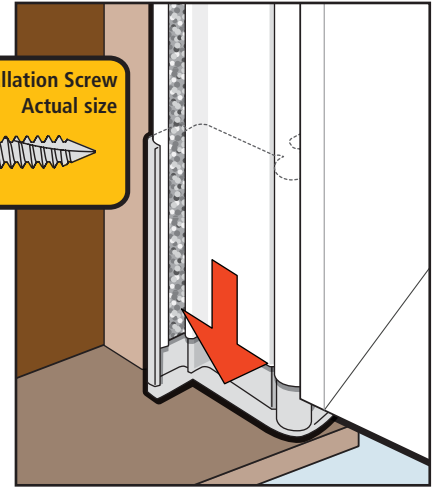
1a
Hang storm door onto door frame using the placeholder screw. *The door will settle approx. 1/16-in down.* Tighten screw while pushing top of hinge rail tight against the door frame.



1b
In the bottom location on the hinge rail, install door installation screw from **BAG C** to secure door in opening. Do not overtighten.



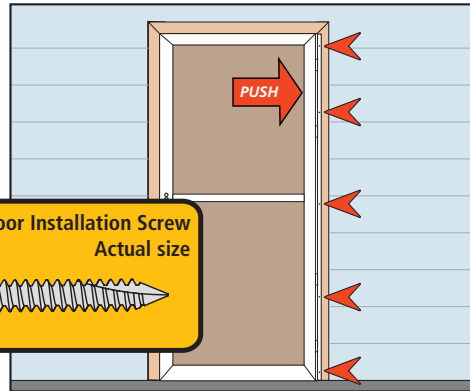
1c
Slide rail extender to sill.



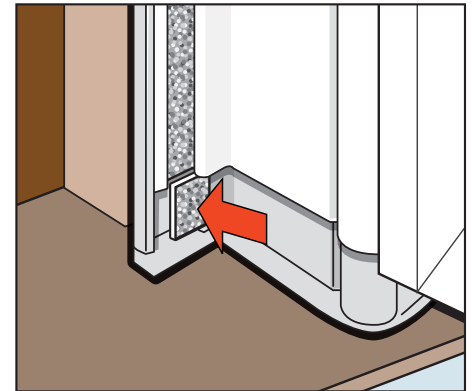
1d
Place door installation screws on the inner side of hinge rail in remaining locations. *Do not over tighten screws.*



1e
Push door tight against door frame. Install door installation screws on the outer side of hinge rail, starting with the top screw. *Do not over tighten screws.*

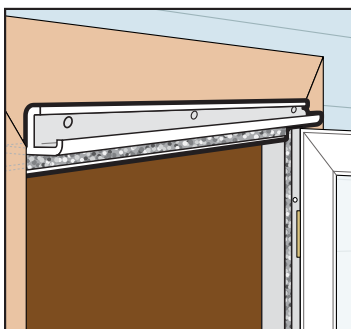


1f
Cut extender weather stripping to length, peel adhesive backing and install.

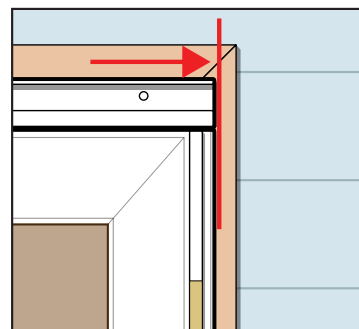


2 Install the Drip Cap

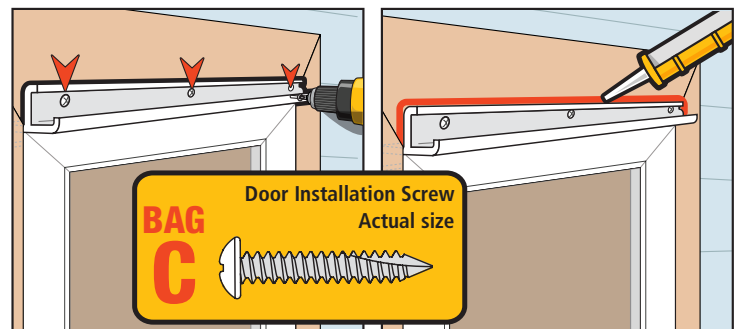
2a
Place the drip cap on the door frame above the storm door.



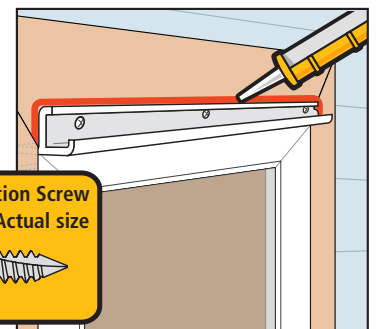
2b
Close door to verify consistent clearance. Align drip cap to end of hinge rail.



2c
Install door installation screws, starting with the screw closest to the hinge rail.



2d
Caulk if desired.

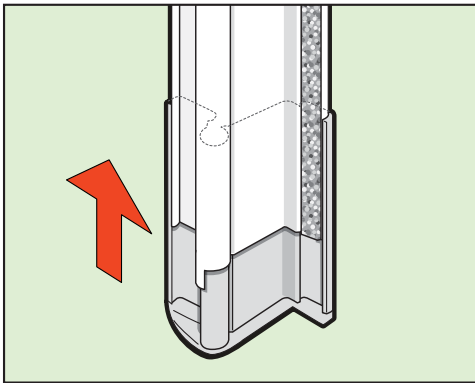


3

Install Latch Rail

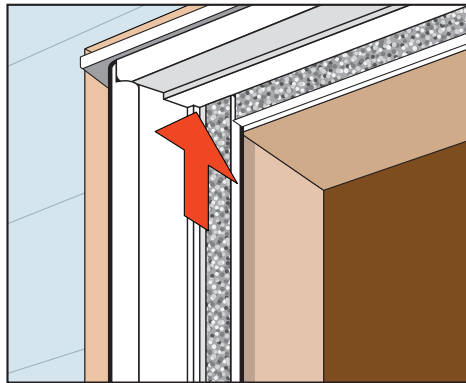
3a

Slide rail extender (marked with "L") into the bottom of latch rail.



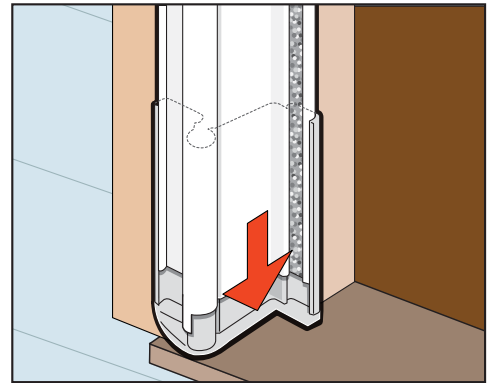
3b

Place latch rail tight against the drip cap.



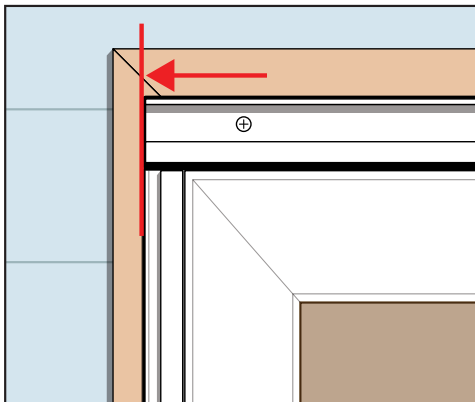
3c

Slide rail extender to sill.



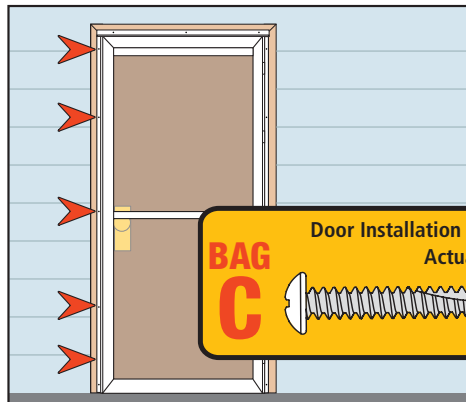
3d

Verify that the door closes freely without hitting the latch rail. Align outside edge of latch rail with outside edge of drip cap.



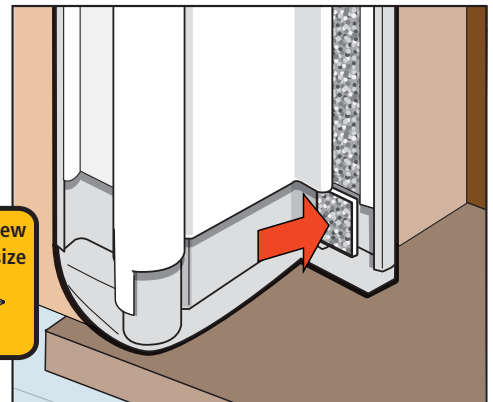
3e

Fasten the latch rail with door installation screws. *Fasten optional one-way screws on select models.*



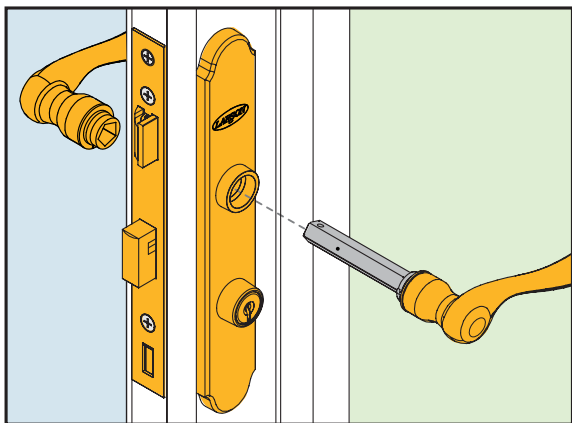
3f

Cut extender weather stripping to length, peel adhesive backing and install.



4

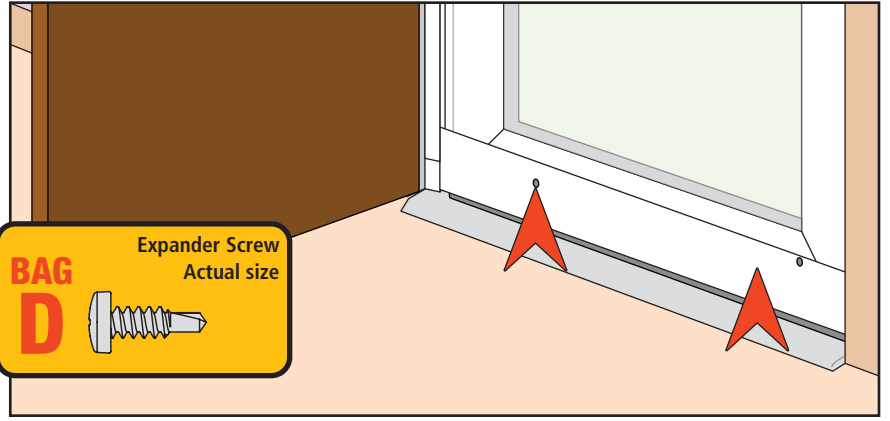
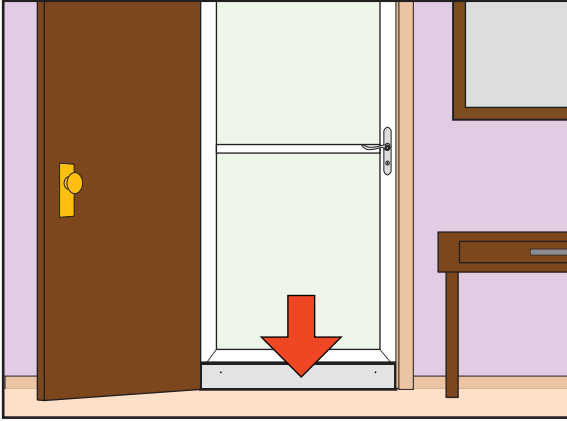
Install QuickFit™ Handle and Strike Plate



Follow the separate QuickFit™ instructions located in the storm door instruction packet.

5 Adjust Expander

5a
Adjust the sweep to the threshold.

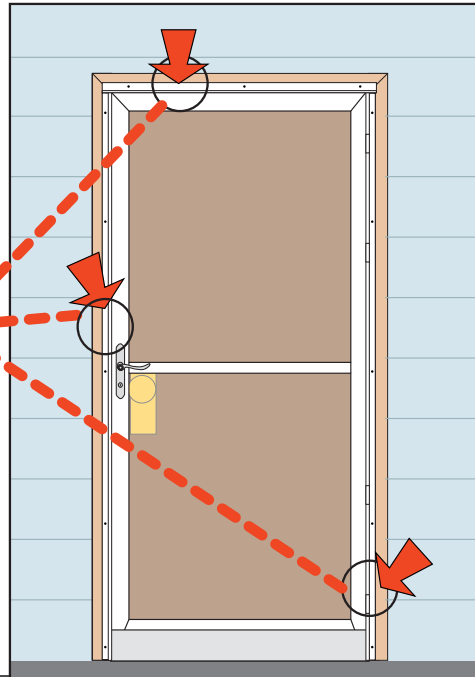
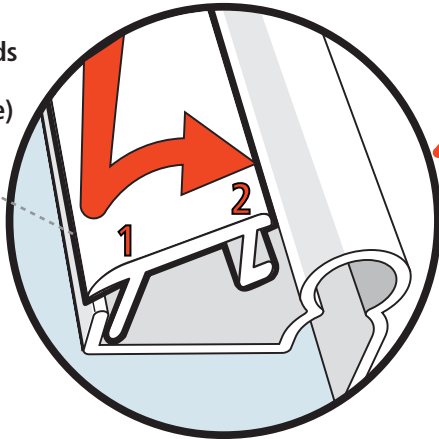


6 Finishing Touches

6a
Install Rail Screw Covers

Snap strips into place by anchoring the **outer side first**. Start at the top ends and slide finger down strip while pressing. Trim to fit as needed.

NOTE:
Straight leg towards outside of rail (marked with a line)



6b
Remove black screen shipping clip from inside of door and discard.

7 Install Closer

Follow the instructions in the closer kit.

